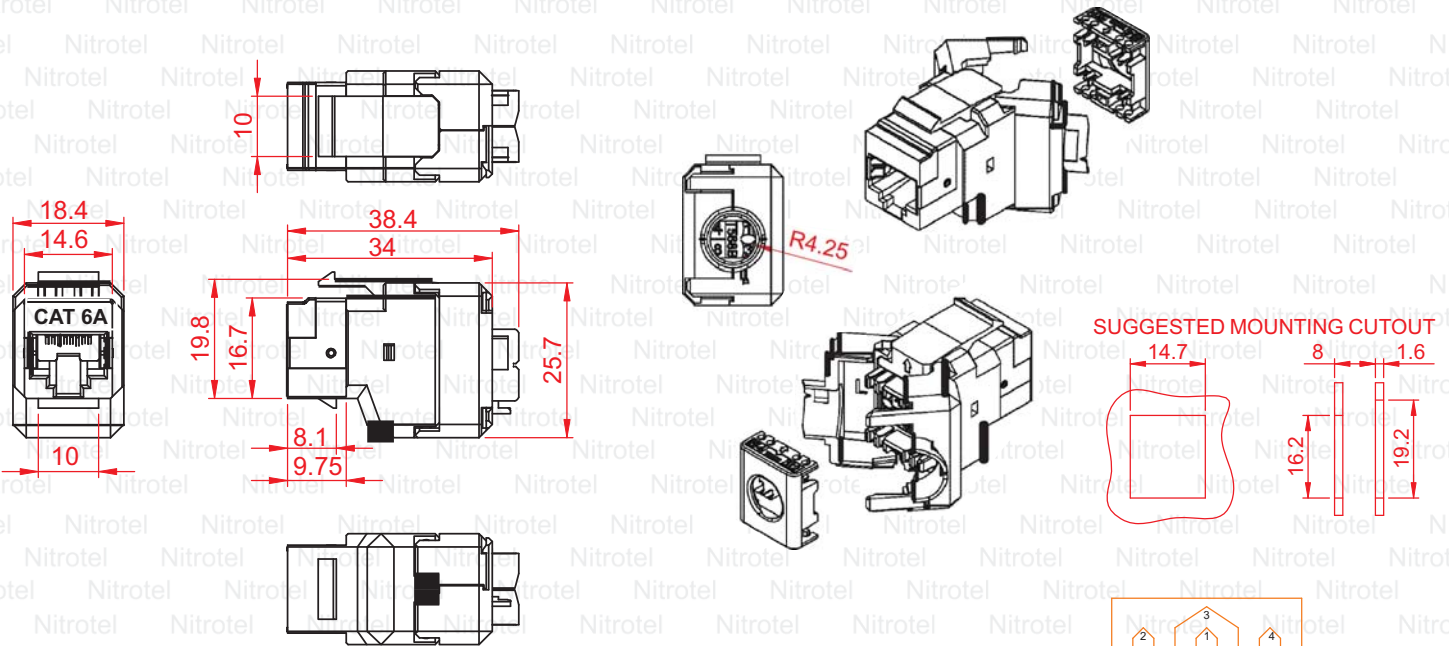


KEYSTONE JACK HOUSING SHIELDED



MATERIAL

- BRACKET: SUS304.
- KEYSTONE JACK HOUSING: ZINE ALLOYS ZAMAC 3.
- SPRING WIRE: PHOSPHOR BRONZE 5100W TEMPER WIRE, $\Phi=0.45\text{MM}$, 50U" GOLD OVER 100U" NICKEL UNDERCOAT.
- IDC PLASTIC: POLYCARBONATE RESIN HIGH-IMPACT UL94V-0 THERMOPLASTIC.
- IDC CONTACT: PHOSPHOR BRONZE C5191R-H, T=0.4MM, 200U" TIN OVER 50U" NICKEL UNDERCOAT.

PHYSICAL CHARACTERISTICS

- INSERTION LIFE: 750 MATING CYCLES WITH FCC COMPLIANT 8P PLUG.
- CONTACT FORCE: 100 GRAMS WITH FCC COMPLIANT 8P PLUG.
- PLUG RETENTION FORCE: 11 LBF MIN.
- DURABILITY: 30 TERMINATION CYCLES.
- CONTACT COMPATIBILITY: ACCOMMODATES 22 TO 24 AWG SOLID.
- OPERATING TEMPERATURE RANGE : -10 C TO 60 C.
- STORAGE TEMPERATURE RANGE : -40 C TO 68 C.
- HUMIDITY: 10%~90%RH.

ELECTRICAL

- INSULATION RESISTANCE: 500 M Ω .
- DIELECTRIC WITHSTANDING VOLTAGE: 1000 V.
- DC CURRENT RATING: 1.5 Amps.
- DC RESISTANCE: 0.1 Ω .
- D CONTACT RESISTANCE: 20m Ω .

NOTE

- WILL NOT SUPPORT CHANNEL SHORTER THAN 15M.
- DO NOT INSERT RJ-11 6P PLUG.

Tolerance

~20	~50	~150	150~	ANGLE
±0.2	±0.4	±0.5	±1.5	±2°