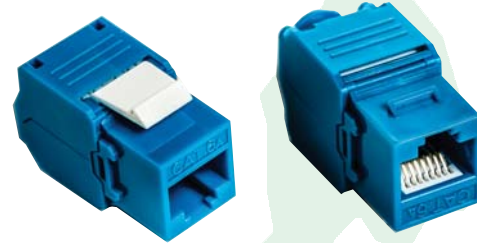


EngineerPro® Cat 6A UTP Keystone Jack

Product Description

Nitrotel EngineerPro® Cat.6A keystone jacks lead you to the gateway that expedites 10GB over copper solution. Patented Printed Circuit Board (PCB) is designed to deliver excellent headroom beyond 500MHz. UL-certified EngineerPro® jacks achieve ISO/IEC approved channel requirements for Class EA and exceed EIA/TIA-568-C.2 specifications. Their compact design allows them to fit into any conventional face plate, outlet box, or panel. They also features dual-color coded labeling made for both 568A & 568B wiring schemes.

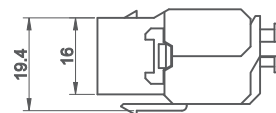
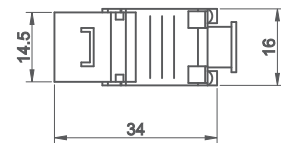
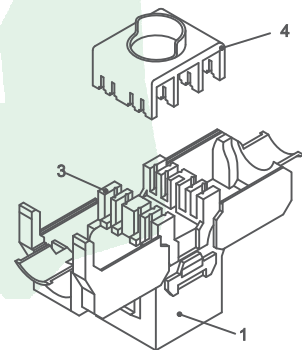


Features

- Backward compatible.
- Compliant with EIA/TIA-568-C.2 Cat6A connecting hardware specifications.
- Dual-color coded labeling made for both 568A & 568B wiring schemes.
- Compact slim design fits into any conventional face plate, outlet box, or panel.
- UL-certified.
- Patented Printed Circuit Board designed to meet Cat6A performances.
- Insertion life: 750 cycles minimum.
- 50u" gold plated contacts.

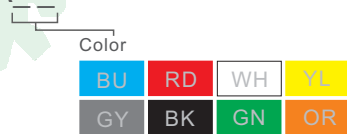
Jack Construction

1. RJ45 Jack:
Housing: ABS+PC, UL 94V-0, with optional color.
Bracket Set: PBT+Glass Fiber UL 94V-0.
2. RJ45 Jack Contact
Material: Phosphor Bronze with Nickel plated.
Finish: 50 micro-inch Gold plated on Plug contact area.
3. IDC:
Hosing: PC+Glass Fiber, UL 94V-2.
Terminal: Phosphor Bronze with min. 50 micro-inch Tin plated.
4. IDC CAP: ABS, UL 94V-0
5. PCB: FR4, UL 94V-0



Order information (Part Number)

NTKJ6A



Special orders available upon request.

